



DA-P 20-130/T-EN54

- quick mounting
- high impact ABS plastic
- BS 5839



EN 54-24:2008
Ref. Nr.: 020-14
ID-Code: SAA-LS20
1438-CPR-0388

ic audio GmbH, Boehringerstraße 14a,
D-68307 Mannheim, Germany

CE-Symbol gemäß Richtlinie 93/68EWG

The 20W powered speaker is equipped with a 130mm full-range loudspeaker and a 100V line transformer with 4 power adjustments. A robust ABS plastic housing in white and a solid aluminium mounting bracket ensure the permanent installation of this speaker.

For additional reliability, a 2-pin ceramic block and a thermal fuse are provided in a junction box and the speaker chassis is impregnated against wetness.

The speaker is compliant with the British Standard BS 5839, Part 8.

Optionally available is a mast bracket (MB) for approx. 90-200 mm mast diameter.

Technical Data (Electrical)

Description	DA-P 20-130/T-EN54
Power	20/10/5/2,5 W
Impedance (100V)	500/1000/2000/4000 ohm
Frequency Range	150 - 20.000 Hz
Frequency Response	120 - 21.000 Hz
SPL IEC268-5 , 1W/1m	87,0 dB
SPL EN54-24, Pmax/4m	89,0 dB
Sensitivity EN54-24, 1W/4m	75,0 dB
Sensitivity EN54-24, 1W/1m	87,0 dB
Dispersion -6dB, 500Hz	360°
Dispersion -6dB, 1KHz	230°
Dispersion -6dB, 2KHz	110°
Dispersion -6dB, 4KHz	58°

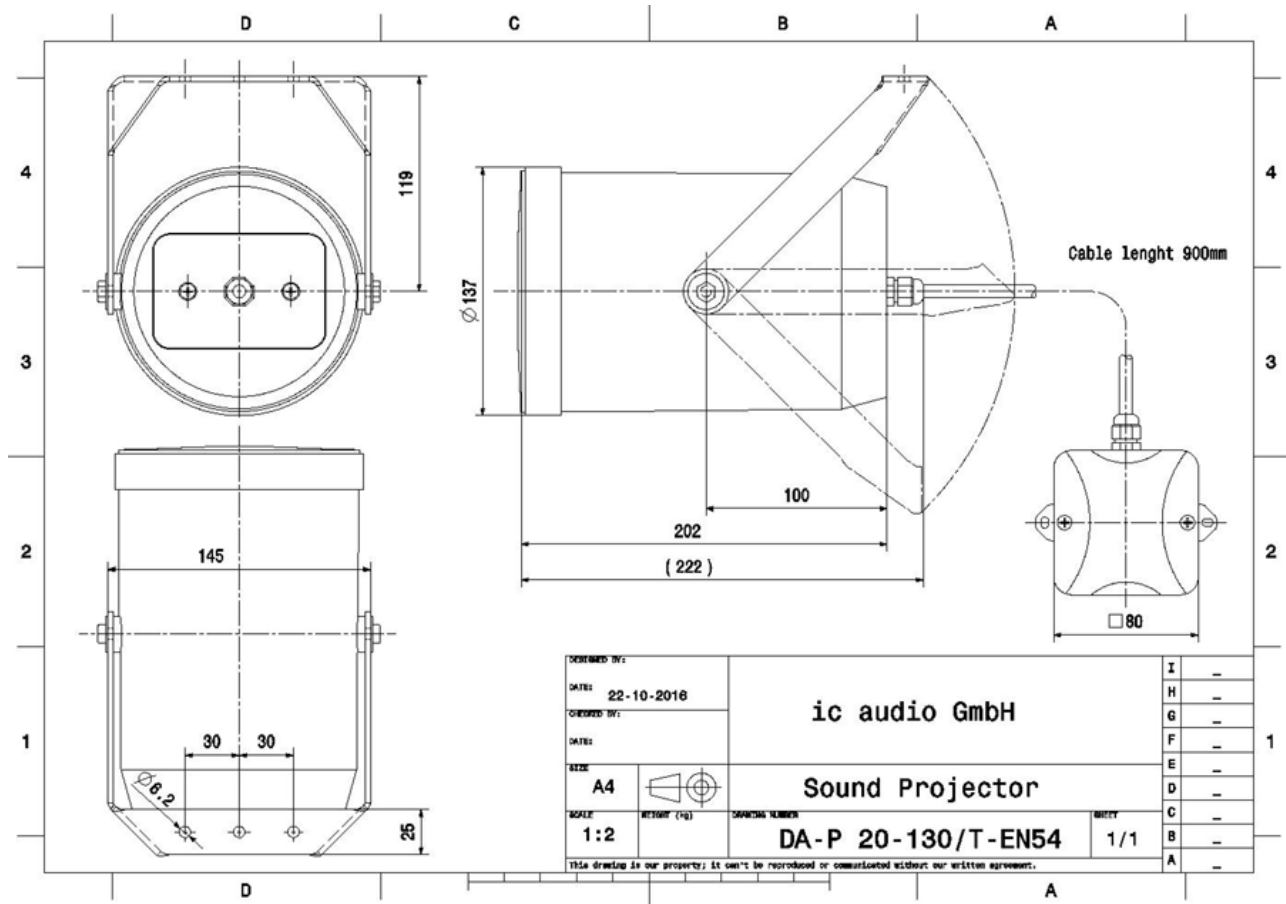
Technical Data (Mechanical)

Dimensions	137 x 222mm
IP Rating	IP66
Weight (net)	1,44kg
Temperature range	-25 / +70 C°
Mounting	Mounting bracket
Connector	2-pin ceramic block
Terminal diameter	3,2 mm
Maximum cable cross section	8 mm ²
Colour	white

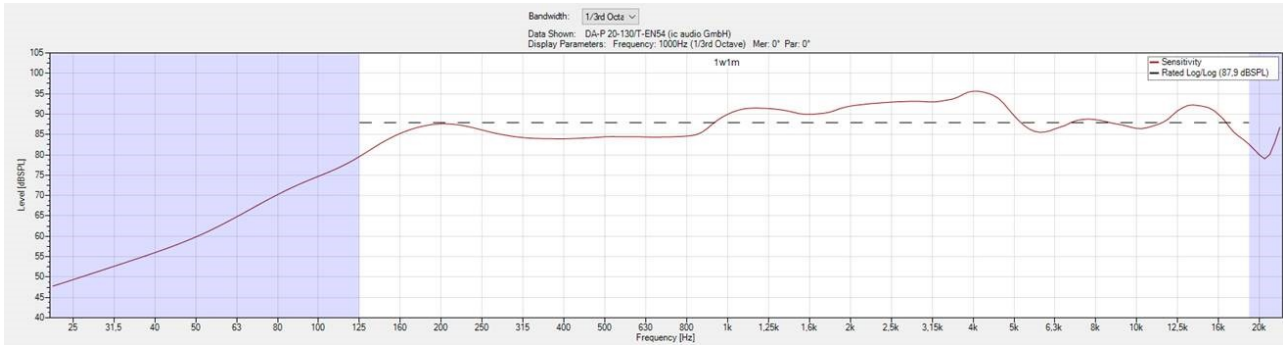
Product Attributes



Technical Diagrams



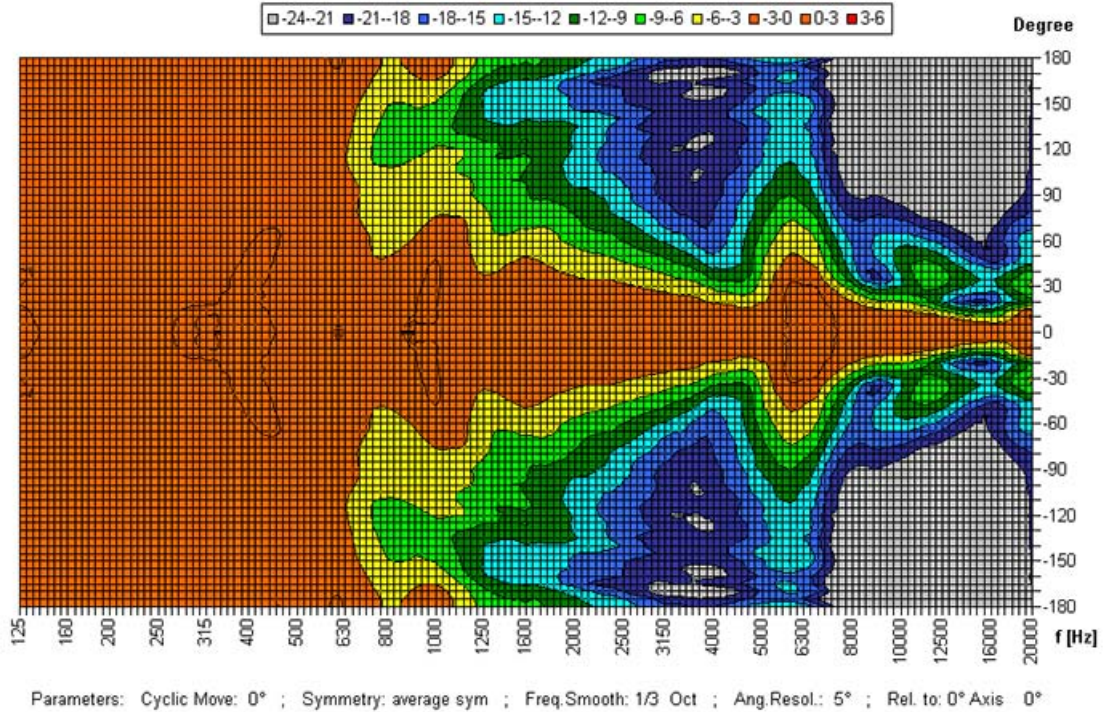
Frequency Response Diagrams



Polar Diagrams

Copyright by Four-Audio GmbH & Co KG Licensed to AAC

Horizontal Isobars of: ic audio DA-P 20-130T-EN54



ic audio loudspeakers are tested and classified according to the IEC standard 60529 (degree of protection by enclosure) against the penetration of foreign objects and moisture. The classification is conforming to standards through characterization with a fixed code. This code consists of the letters IP (International Protection) followed by two digits. The first digit indicates the degree of protection against dust and the second digit the degree of protection against water. Please note that the testing of the products has been carried out in laboratory conditions which are not always 100% comparable with the conditions of different installation environments. This protection can be reduced due to normal wear and tear depending on the installation environment.

RoHS compliant (2011/65/EU)

The IP rating specified is based on ic audio test results, not on CNBOP-PIB test results. Certification only verifies the minimum requirements for EN54-24 compliance.



Article Nr.: 20142815

Packing Unit: 8

